

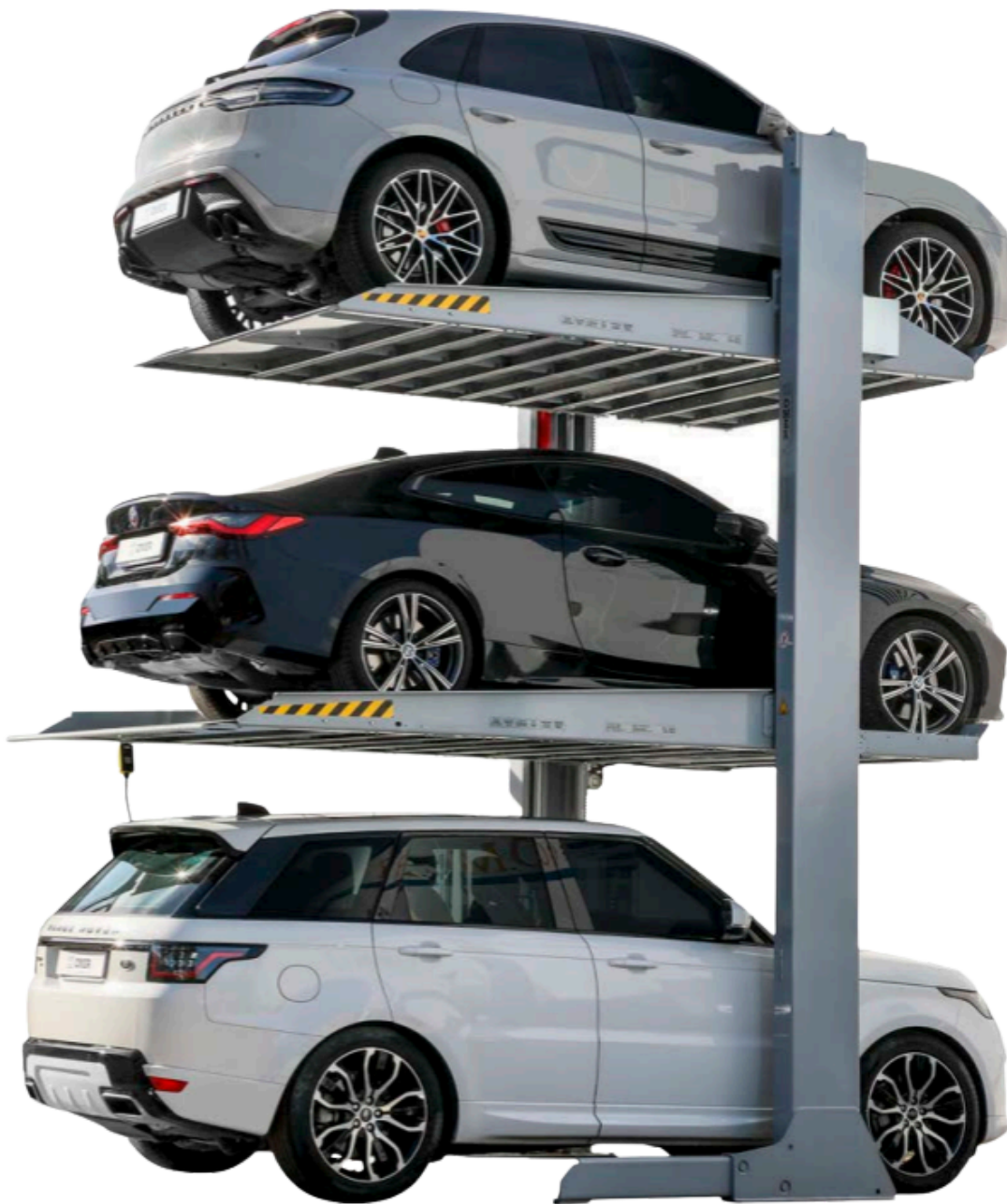
TRIPARK30

2-POST TRIPLE PARKING LIFTS

NELCA

SYSTEMS

WWW.NELCASYSTEMS.CA



REDEFINING SPACE WHERE IT MATTERS.

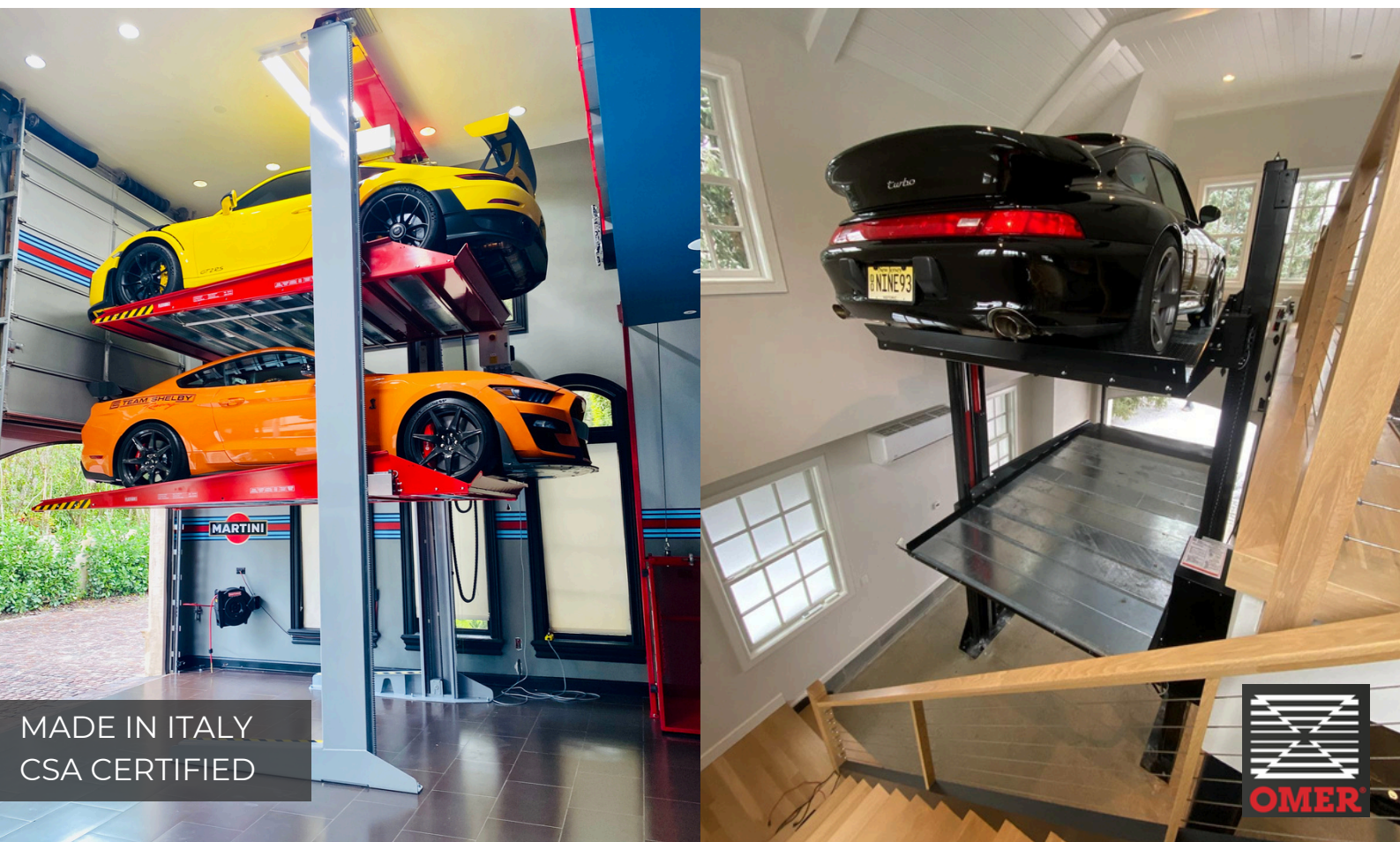
WHAT IS THE TRIPARK30?

NELCA
SYSTEMS

OMER **TriPark** is a premium **triple-stack parking lift** engineered and **manufactured in Italy** for high-density car storage in both residential and commercial settings. This compact, above-ground stacker parks three cars in the space of one — no excavation or major construction required. With a robust **6,600 lbs capacity per platform**, it handles everything from low-clearance sports cars to full-size SUVs.

What sets the **TriPark** apart is the engineering pedigree behind it. Manufactured by O.M.E.R. S.p.A. — a world leader in vehicle lift manufacturing with over 45 years of experience — every unit is built to a higher standard. The galvanized platforms channel fluids away from the vehicles below, the **unique torsion bar** keeps platforms perfectly parallel, and the electrically-actuated mechanical locking device guarantees a **safe locking position at 1-inch intervals**.

Add **hot-dipped galvanization**, lockable push-button controls, and customizable RAL colour options, and you have a lift purpose-built to perform reliably for decades to come.



MADE IN ITALY
CSA CERTIFIED

SPECIFICATIONS.

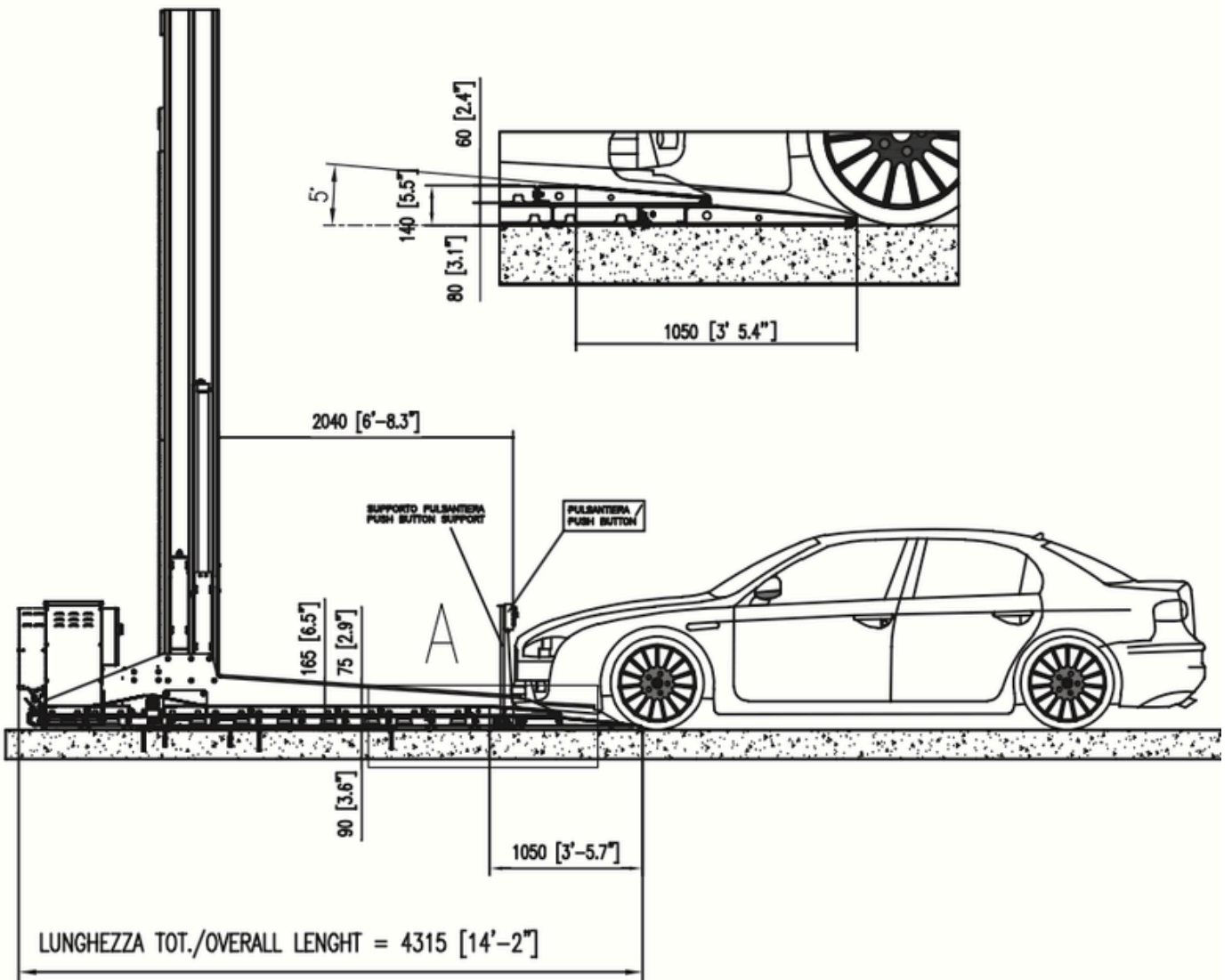
Safety is built into every detail.

Uniquely **balanced** and **reinforced**, it allows vehicles to be parked facing either direction with **no requirement for even weight distribution** — giving operators the flexibility to run their facility the way they see fit.

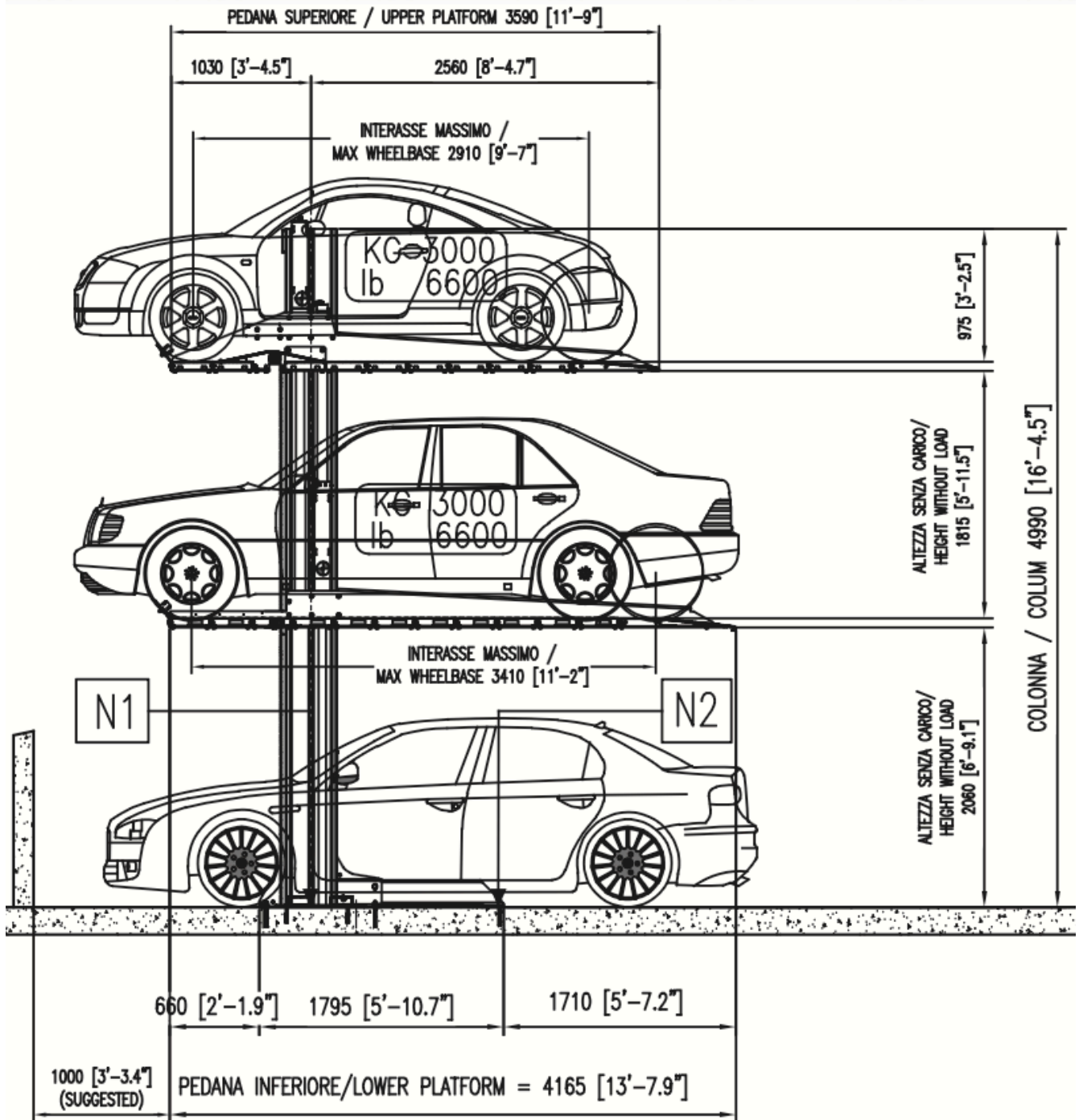
TRIPARK30. TECHNICAL SPECIFICATIONS

PLATFORM DIMENSIONS	UPPER - 2.2M WIDE BY 3.590M LONG LOWER - 2.258M WIDE BY 4.165M LONG
LIFTING CAPACITY PER PLATFORM	UP TO 6,600 LBS
TRAVEL DISTANCE	UPPER - 1.815M / 5' - 11.5" LOWER OR GROUND LEVEL - 2.060M / 6" - 9.1"
CONFIGURATION	2-POST
STRUCTURE MATERIAL	POWDER COATED
COLUMNS HEIGHT	4.990 METERS / 16' - 4.5"
TOTAL WIDTH	2.8M / 8' - 10.1"
POWER	220V - SINGLE PHASE
COLOR	STANDARD LIGHT GRAY - CUSTOMIZATION AVAILABLE
CERTIFICATIONS	CSA

SPECIFICATIONS.



SPECIFICATIONS.



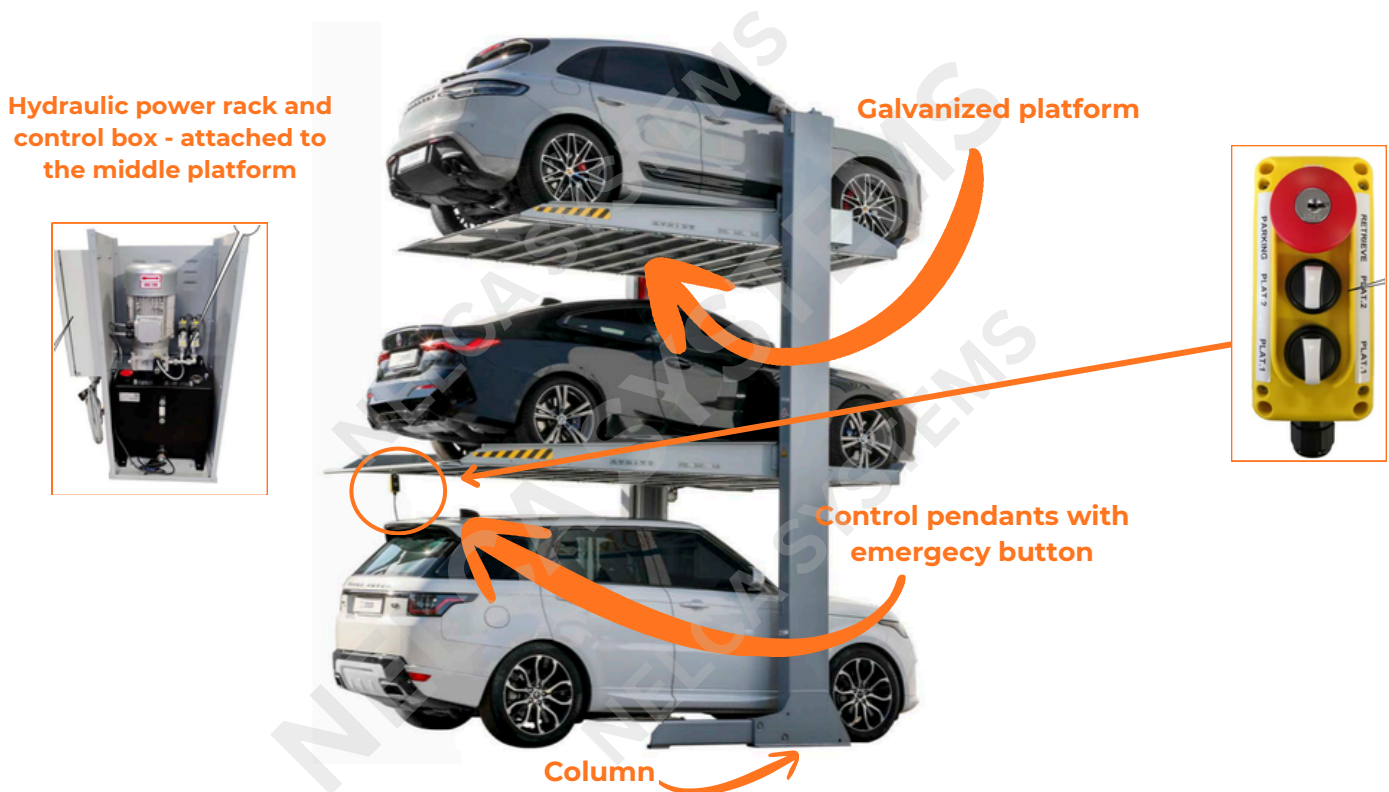
LET'S TAKE A CLOSER LOOK.

Engineered for Efficiency and Longevity.

Smooth-rolling wheels and **reinforced nylon guides** minimize friction between the column and carriage, reducing energy consumption and mechanical wear. Channeled, **hot-dip galvanized platform** drains water away from the vehicle below — protecting against rust and ensuring decades of reliable performance.

Contact Nelca Systems today for your free consultation and quote.

Let's breakdown the components



STANDARD FEATURES

- CSA Power Rack
- CSA control box
- 1 Control pendants - UP/DOWN Buttons and Emergency Stop + key switch
- Torsion bar

OPTIONAL FEATURES

- Hot dipped galvanization for outside use
- Non standard power supply like 460/3/60 Hz
- Vehicle detecting photocell for electronic collision prevention
- ICEV (Internal Combustion Engine Vehicle) battery charger
- Solar panel for ICEV battery charger

PHOTO GALLERY

NELCA
SYSTEMS



TRIPARK30

2-POST TRIPLE PARKING LIFTS



NELCA

SYSTEMS

WWW.NELCASYSTEMS.CA

 www.nelcasystems.ca

 +1 (437) 326-3102

 contact@nelcasystems.com

 Toronto, Canada